

**J. Kilpeläinen**

Sheet: /DAC/

File: DAC.sch

**Title: Turtle Bitch**

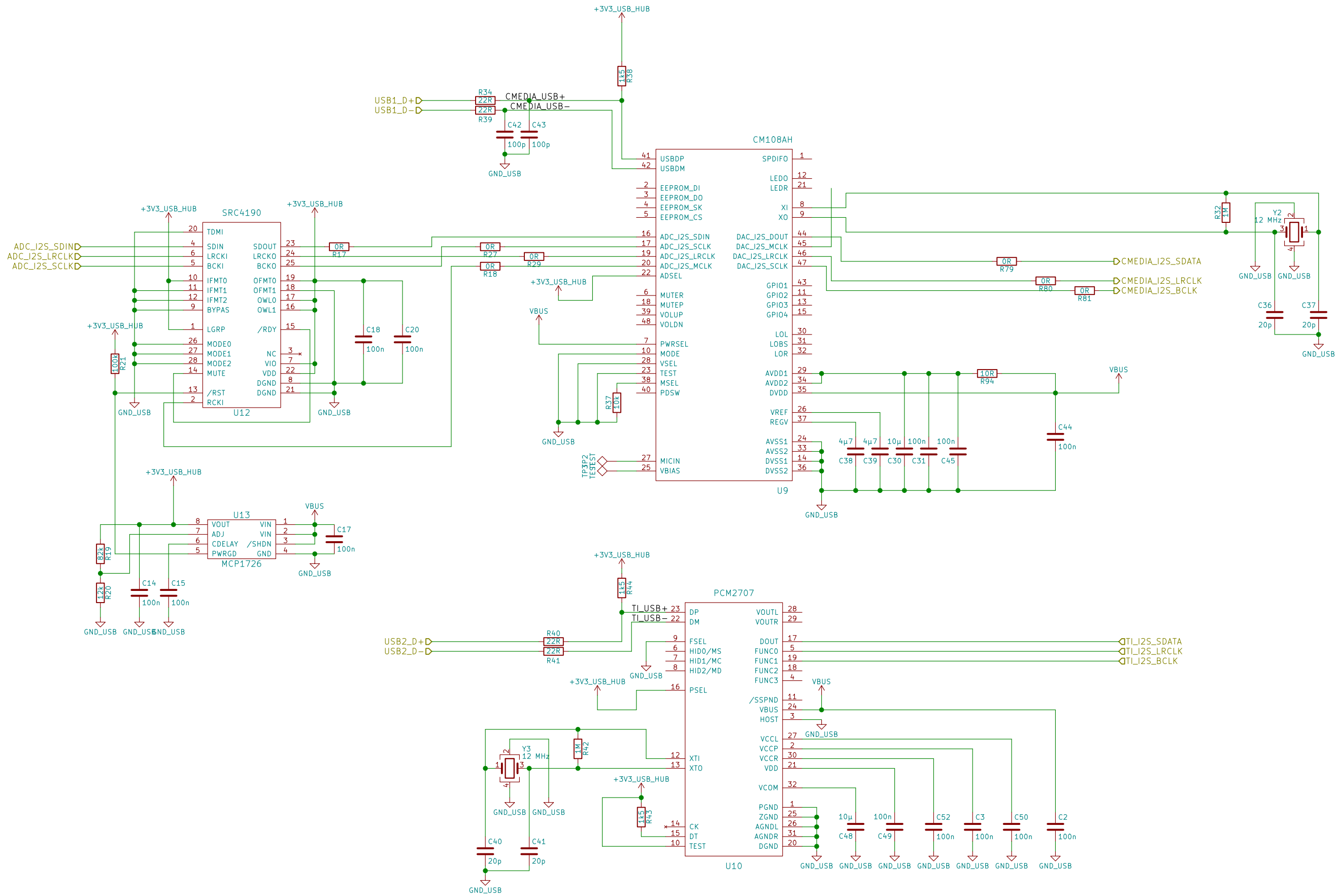
Size: A4

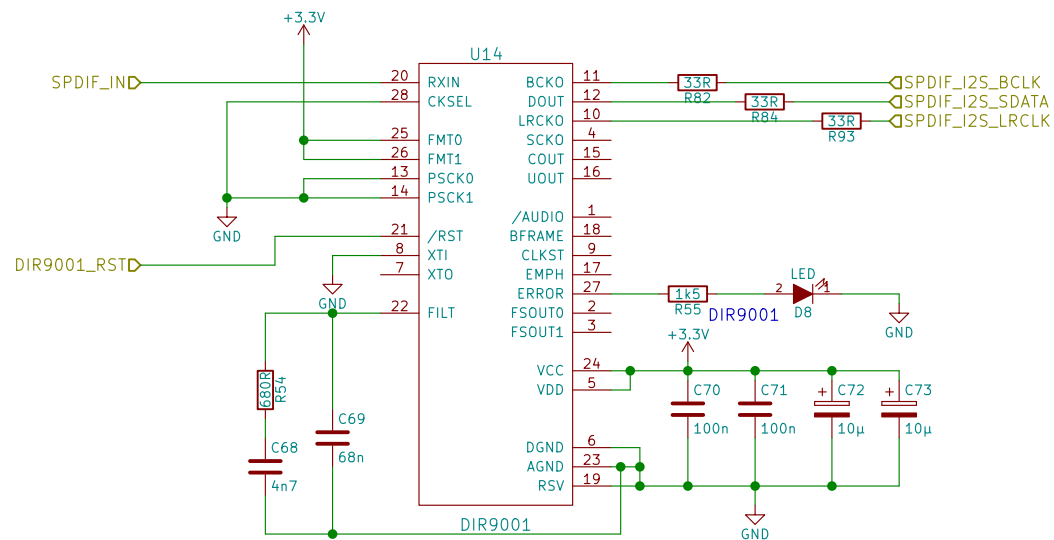
Date:

KiCad E.D.A. kicad (5.0.0)

**Rev:**

Id: 3/13





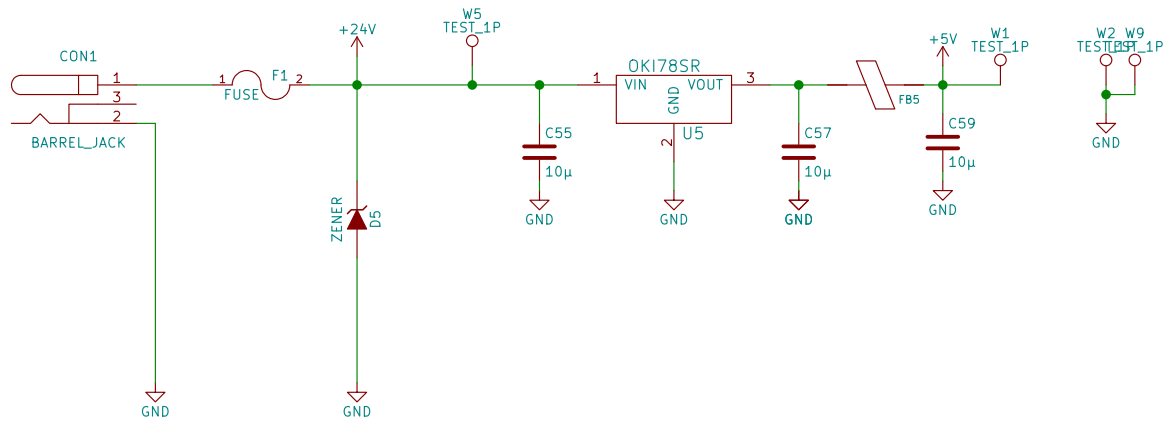
**J. Kilpeläinen**

Sheet: /SPDIF-I2S/  
File: SPDIF-I2S.sch

**Title: Turtle Bitch**

Size: A4 Date:  
KiCad E.D.A. kicad (5.0.0)

**Rev:**  
Id: 5/13



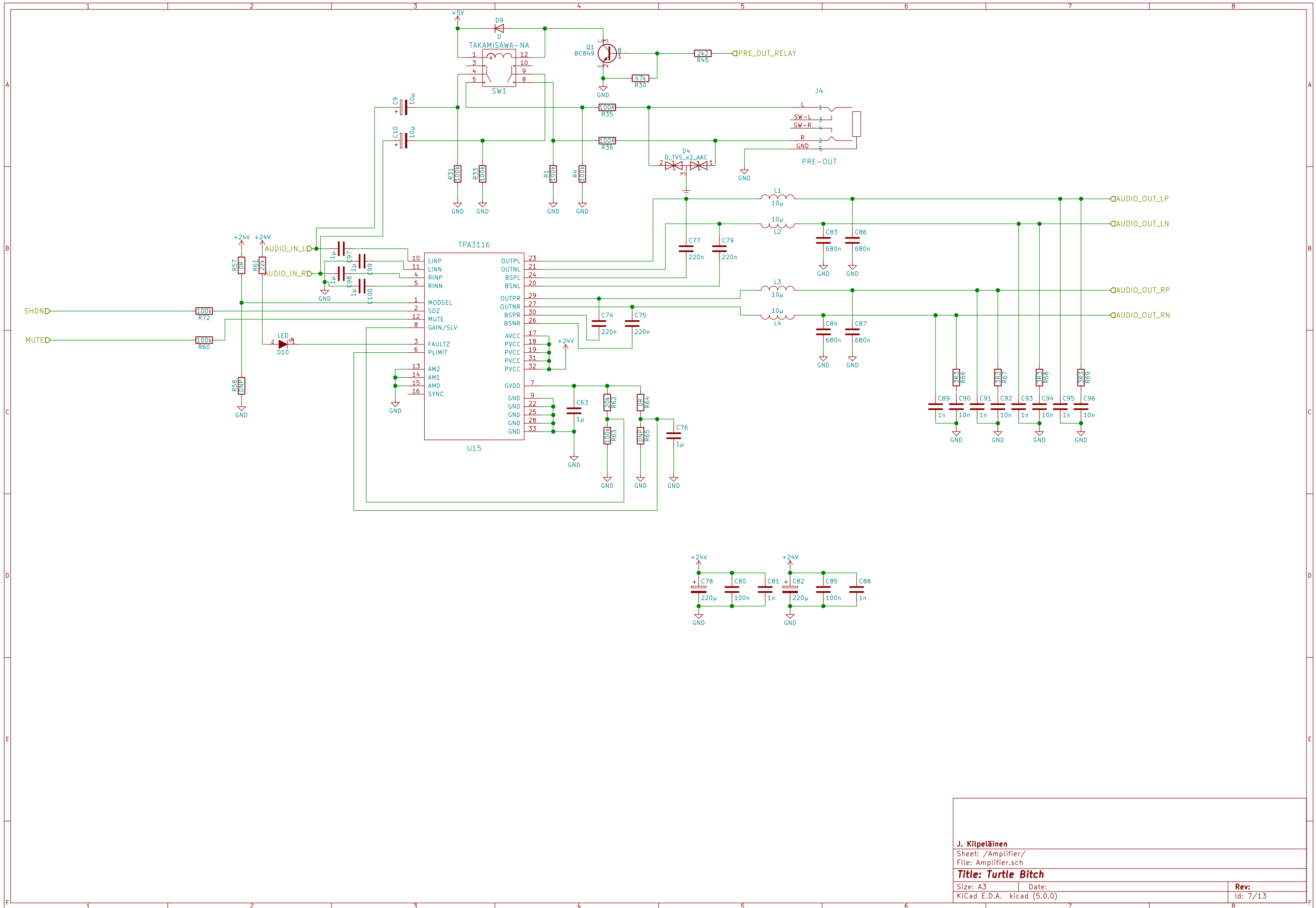
**J. Kilpeläinen**

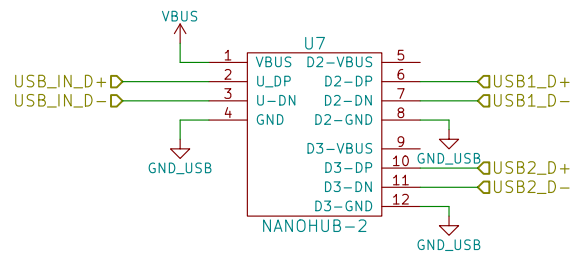
Sheet: /Regulators/  
File: Regulators.sch

**Title: Turtle Bitch**

Size: A4 Date:  
KiCad E.D.A. kicad (5.0.0)

**Rev:**  
Id: 6/13





**J. Kilpeläinen**

Sheet: /USB hub/

File: USB\_Hub.sch

**Title: Turtle Bitch**

Size: A4

Date:

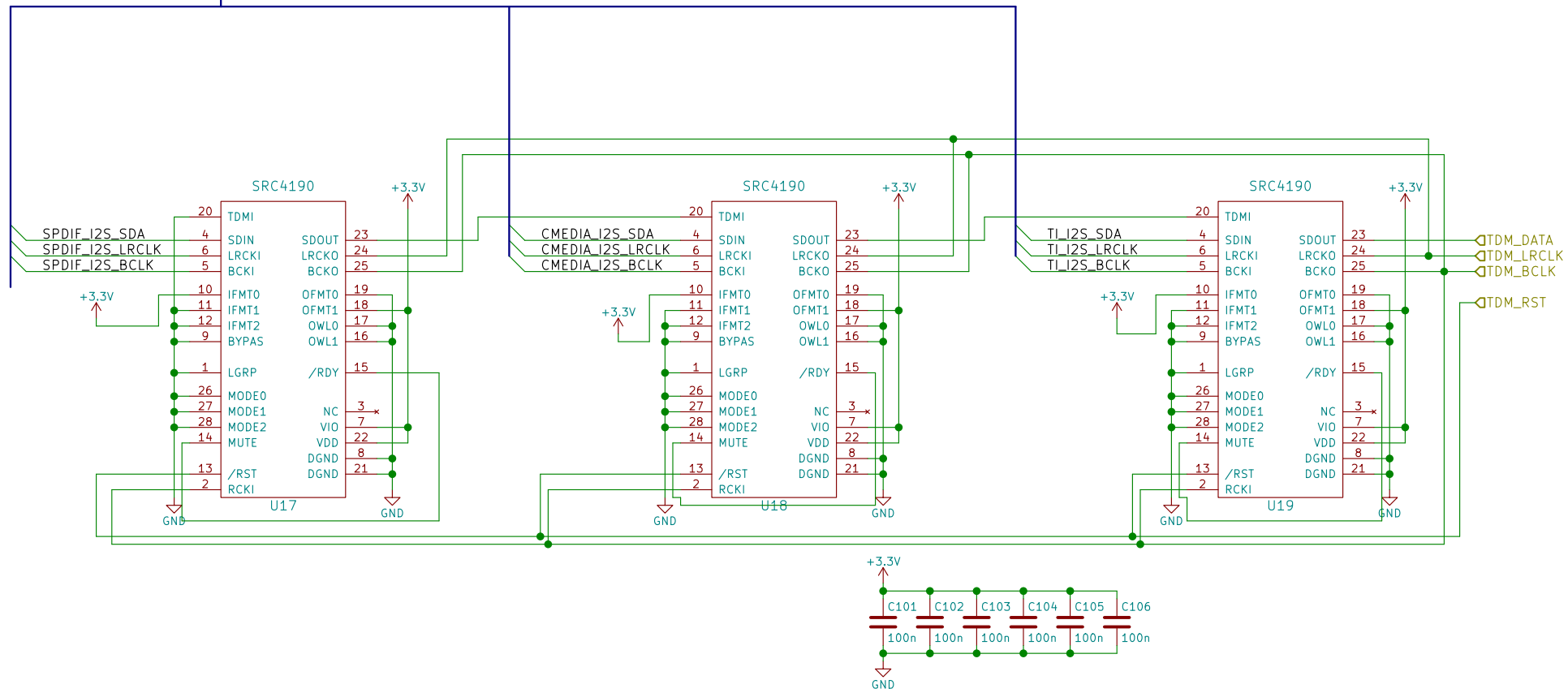
KiCad E.D.A. kicad (5.0.0)

**Rev:**

Id: 8/13



CMEDIA\_I2S\_SDA → CMEDIA\_I2S\_SDA  
 CMEDIA\_I2S\_LRCLK → CMEDIA\_I2S\_LRCLK  
 CMEDIA\_I2S\_BCLK → CMEDIA\_I2S\_BCLK  
 TI\_I2S\_SDA → TI\_I2S\_SDA  
 TI\_I2S\_LRCLK → TI\_I2S\_LRCLK  
 TI\_I2S\_BCLK → TI\_I2S\_BCLK  
 SPDIF\_I2S\_SDA → SPDIF\_I2S\_SDA  
 SPDIF\_I2S\_LRCLK → SPDIF\_I2S\_LRCLK  
 SPDIF\_I2S\_BCLK → SPDIF\_I2S\_BCLK



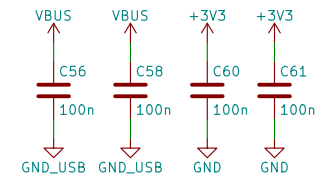
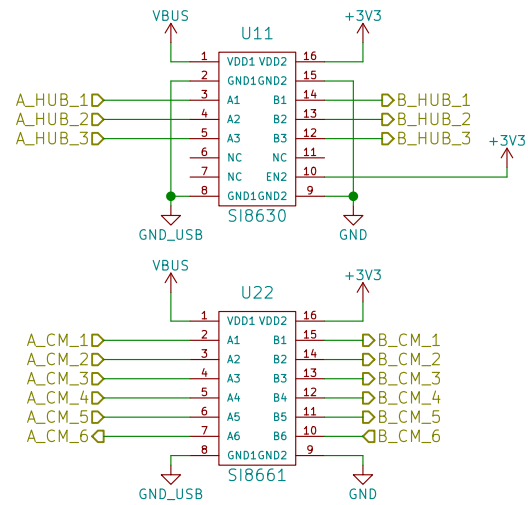
J. Kilpeläinen

Sheet: /SRC/  
File: SRC.sch

**Title: Turtle Bitch**

Size: A3 Date:  
KiCad E.D.A. kicad (5.0.0)

Rev:  
Id: 9/13



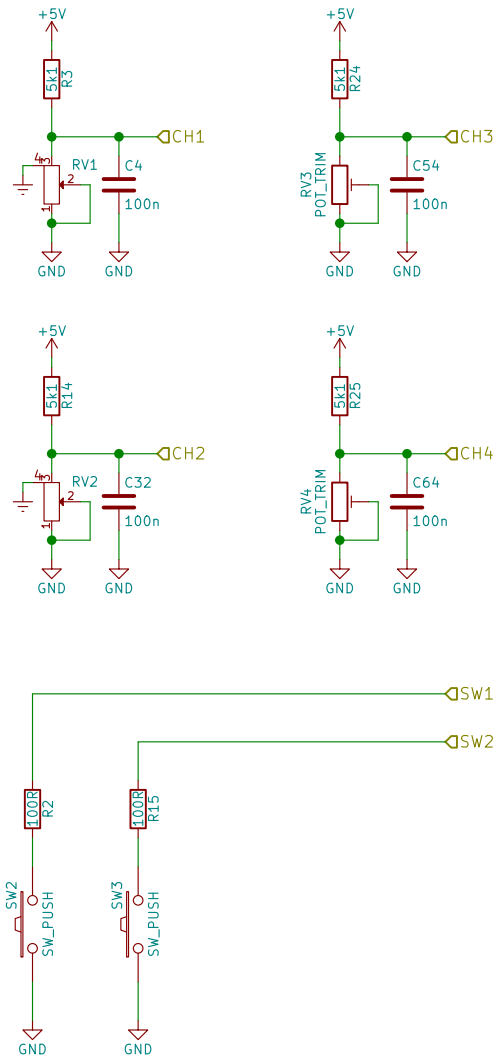
**J. Kilpeläinen**

Sheet: /Isolators/  
File: Isolators.sch

**Title: Turtle Bitch**

Size: A4 Date:  
KiCad E.D.A. kicad (5.0.0)

**Rev:**  
Id: 10/13



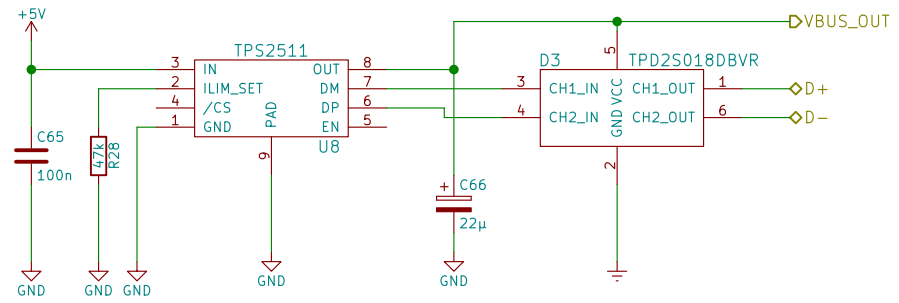
**J. Kilpeläinen**

Sheet: /Potentiometers/  
File: Potentiometers.sch

**Title: Turtle Bitch**

Size: A4 Date:  
KiCad E.D.A. kicad (5.0.0)

**Rev:**  
Id: 11/13



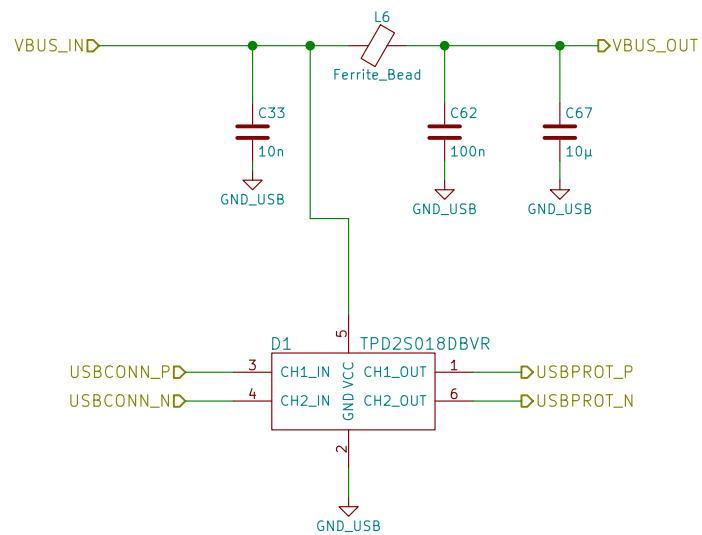
**J. Kilpeläinen**

Sheet: /USBCharger/  
File: USBCharger.sch

**Title: Turtle Bitch**

Size: A4 Date:  
KiCad E.D.A. kicad (5.0.0)

**Rev:**  
Id: 12/13



**J. Kilpeläinen**

Sheet: /USB\_Protection/  
File: USB\_Protection.sch

**Title: Turtle Bitch**

Size: A4 Date:  
KiCad E.D.A. kicad (5.0.0)

**Rev:**  
Id: 13/13