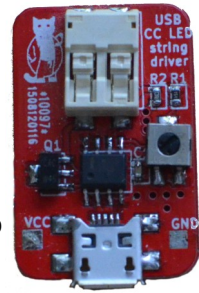


USB CC led string driver

This product enables you to create custom decoration lights very easily. You can use this driver with a scrap power supply to power your LED string with an adjustable constant current. Power can be fed through a micro-USB connector or you can solder the power wires directly to the board.



This product is intended to be used with a 5V supply (e.g. USB charger) and a LED strip of any colour. It can deliver up to 150 mA of current into those types of strings. You can increase the max current by changing the value of resistor R1 but bear in mind that the pass transistor has a power dissipation limit of 0.5 watts. If you want a wider input voltage range or higher current please see my other product "switching USB LED string driver".

How does it work?

The operational amplifier U1 adjusts the base current of transistor Q1 so that the voltage over sense resistor R2 is equal to the voltage adjusted with the potentiometer. The maximum current can be adjusted by changing the value of R1.

For a more in-depth explanation you can see e.g. EEVblog #102.

What do I need besides this kit?

You will need a power supply and a LED string. The power supply does not have to be regulated; try to find one which has a input voltage of something between 3 and 6 volts. A phone charger would do fine, hence the kit has a connector on-board.



3M AA Battery Power Operated Warm White 30 LED String Fairy Party Wedding Light

Item condition: **New** More than 10 available / 229 sold

Quantity:

Price: **US \$2.99**
Approximately EUR 2.66

[Buy It Now](#)

[Add to cart](#)

51 watching

- [Add to watch list](#)
- [Add to collection](#)

229 Sold Free Shipping More than 56% Sold

Shipping: **FREE** Standard Int'l Shipping | [See details](#)
International items may be subject to customs processing and additional charges.

Item location: Shenzhen, China
Ships to: Worldwide | [See exclusions](#)

Delivery: **Estimated between Fri, Sep. 11 and Fri, Oct. 9**
Seller ships within 2 days after receiving cleared payment.

Payments: [PayPal](#) | [VISA](#) | [MasterCard](#) | [Discover](#) | [iDEBIT](#)
Processed by PayPal

Returns: 30 days money back, buyer pays return shipping | [See details](#)

Ad Feedback | AdChoice

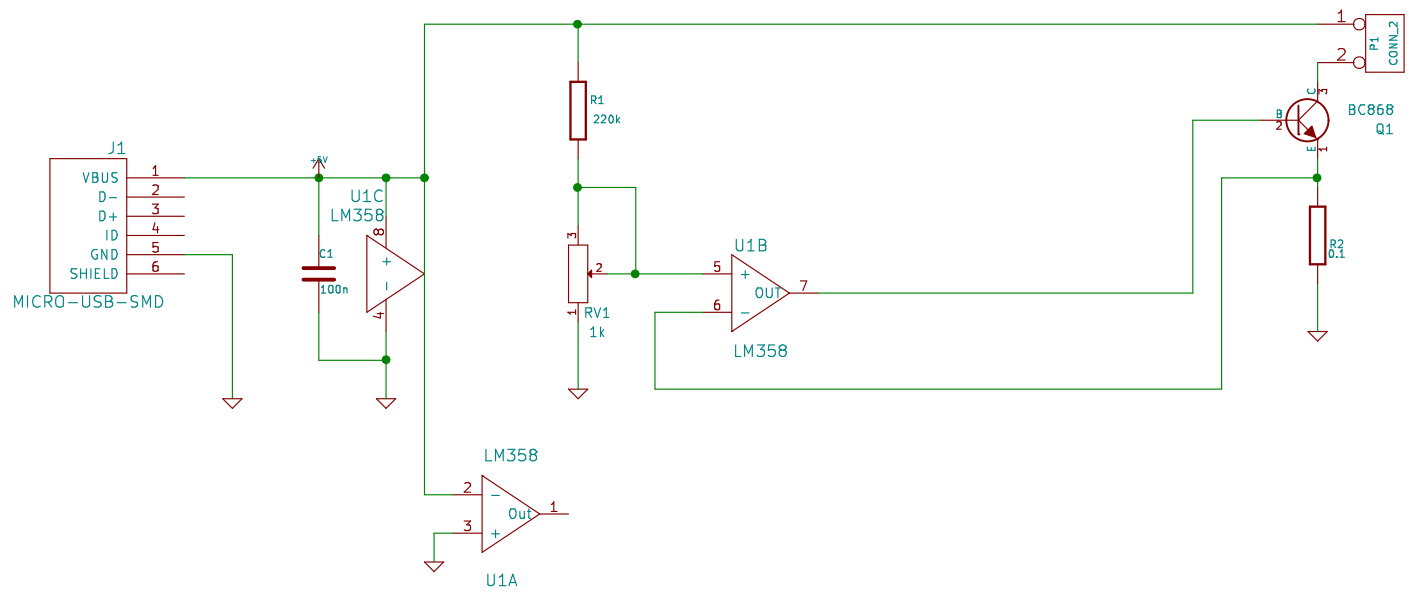
Seller information
[happyeasybuy02](#) (22450)

99% Positive feedback

[Follow this seller](#)

[See other items](#)

Besides that you will also need a LED string or a power LED. One good way of sourcing those is to buy a battery powered "fairy light" or "wedding light" from eBay and hack off the battery box.



Jussi Kilpeläinen		
Sheet: /		
File: batt_led_drv.sch		
Title: USB constant current LED driver		
Size: A4	Date: 4 sep 2016	Rev: 3
KiCad E.D.A. kicad 4.0.2-stable	Id: 1/1	