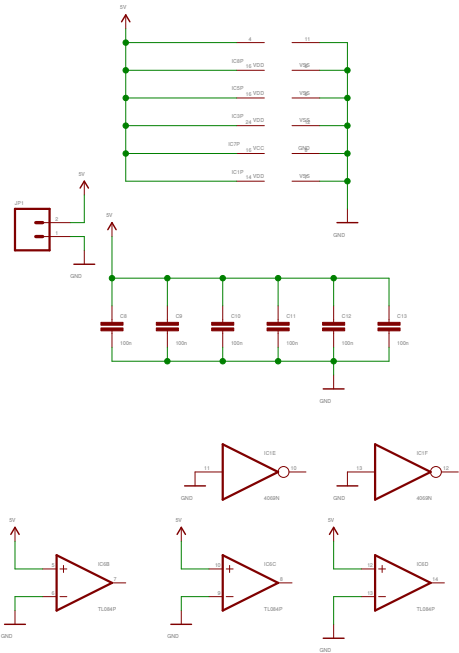
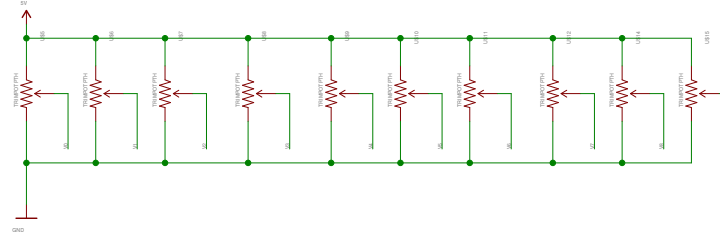


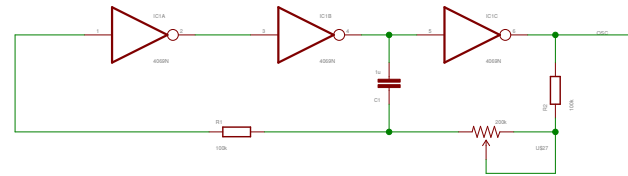
Power supply



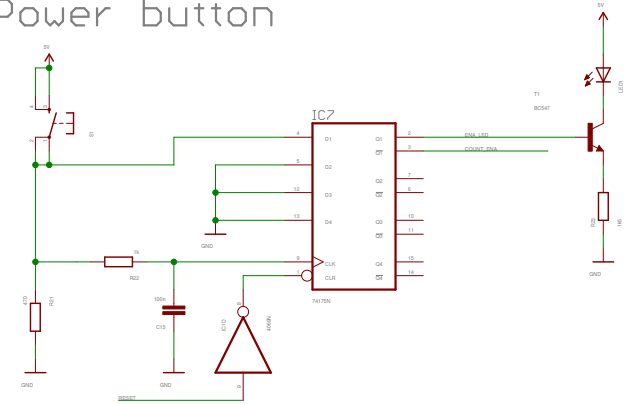
Note setting



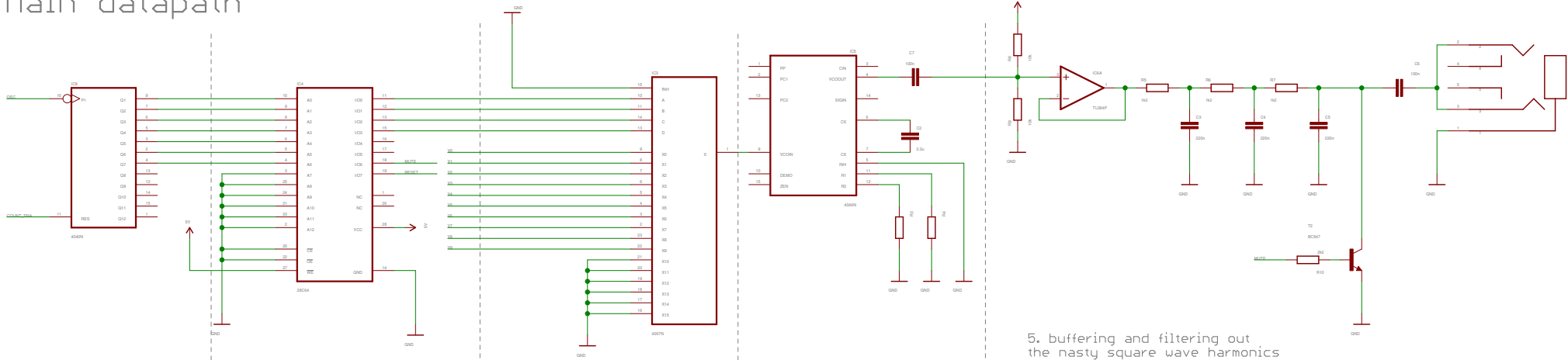
Oscillator



Power button



Main datapath



1. generating memory indices

2. getting notes from memory

3. transforming the digital note information into analog voltage

4. converting analog voltage to frequency

5. buffering and filtering out the nasty square wave harmonics

Jussi Kilpeläinen

polonaise_machine
10.1.2013 22.50
Sheet: 1/1